

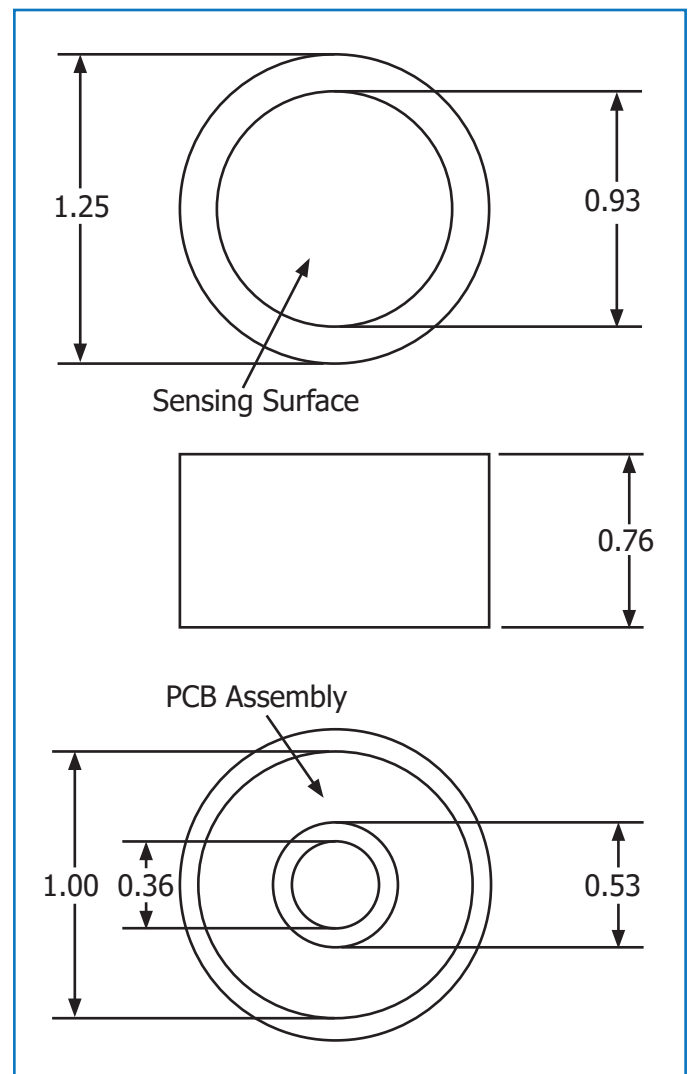
Electrochemical Galvanic Fuel Cell Percent Oxygen Sensor



Measures Oxygen From 1000 PPM to 100%
 Electrochemical Fuel Cell Sensor Technology
 Self-Contained, No Need To Add Electrolyte
 Excellent Stability, Performance, & Linearity
 High Output Percent Oxygen Sensor

Specifications:

Sensor Technology	Micro Fuel Cell
Signal Output ¹	245 - 430 uA
Measuring Range	0 - 100 Percent
Response Time T90	7 Seconds
Accuracy Full Scale ²	± 1% of Signal
Repeatability F.S.	± 0.5%
Temp Coefficient	2.54 % / °C
Operating Temp	0 to 50 °C
Storage Temp	0 to 45 °C
Recommended Flow	0.5 - 5 SCFH
Humidity	0 - 100% RH (Non-Condensing)
Expected Life ³	12 - 15 Months
Storage	6 Months
Warranty ⁴	9 Months
PCB Connection	Center Foil Negative Outer Foil Positive



1. Signal Output is measured in air at 25 °C, Sea Level.
2. Full Scale Accuracy is calculated with constant pressure, temperature, and proper calibration (80% O2 Value on Full Scale Range or a range higher). Drastic Temperature change can result in a maximum error of ± 10%.
3. Expected life is calculated when O2 < 1000 ppm @ 25 °C, Sea Level.
4. Southland Sensing Ltd. warranties the sensors for the period noted above to be free from defects in materials and workmanship. SSO2 will not be held liable for sensors damaged due to customer neglect.
4. Southland Sensing Ltd. sensors are tested and validated to BSI Standard BS EN 50104:2010