

Electrochemical Galvanic Fuel Cell Hybrid Oxygen Sensor



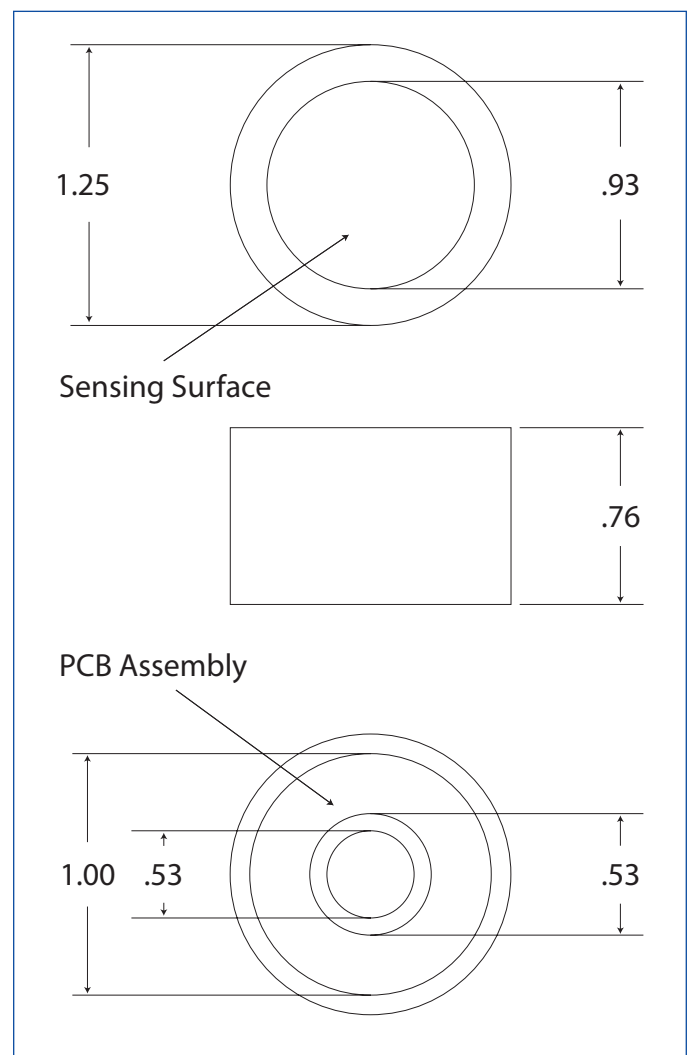
Measures Oxygen From 20 PPM to 25.0%
Electrochemical Fuel Cell Sensor Technology
Self Contained, No Need To Add Electrolyte
Excellent Stability, Performance & Linearity
Continuous And Spot Checking Analysis

Specifications:

Sensor Technology	Micro Fuel Cell
Signal Output ¹	285 - 590 uA
Measuring Range	0 - 1000 PPM (Min) 0 - 25 % (Max)
Lower Detectable Limit	75 PPM
Response Time T90	13 Seconds
Accuracy Full Scale ²	± 1% of Signal
Repeatability F.S.	± 0.5%
Temp Coefficient	2.54 % / ° C
Operating Temp	0 to 50 ° C
Storage Temp	0 to 45 ° C
Recommended Flow	0.5 - 5 SCFH
Humidity	0 - 100% RH (Non-Condensing)
Expected Life ³	12 - 15 Months
Storage	6 Months
Warranty ⁴	12 Months
PCB Connection	Center Foil Negative Outer Foil Positive

Suggested Applications:

3D Metal Printing & Inert Chambers
Inert Welding of exotic materials
Natural Gas Applications 20 PPM to 1000 PPM



1. Signal Output is measured in air at 25 ° C, Sea Level.
2. Full Scale Accuracy is calculated with constant pressure, temperature and proper calibration (80% O2 Value on Full Scale Range or a range higher). Drastic Temperature change can result in a maximum error of ± 10%.
3. Expected life is calculated when O2 < 1000 ppm @ 25 ° C, Sea Level.
4. Southland Sensing Ltd. Warrants the sensors for the period noted above to be free from defects in materials and workmanship. SSO2 will not be held liable for sensors damaged due to customer neglect.
4. Southland Sensing Ltd. sensors are tested and validated to BSI Standard BS EN 50104:2010